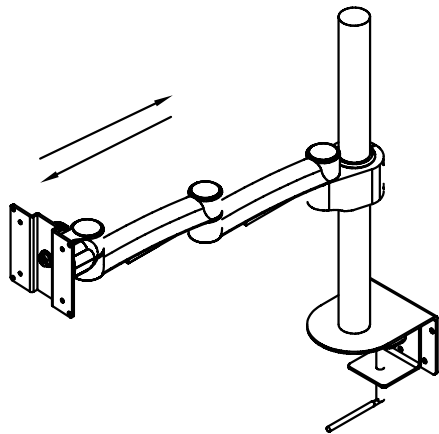
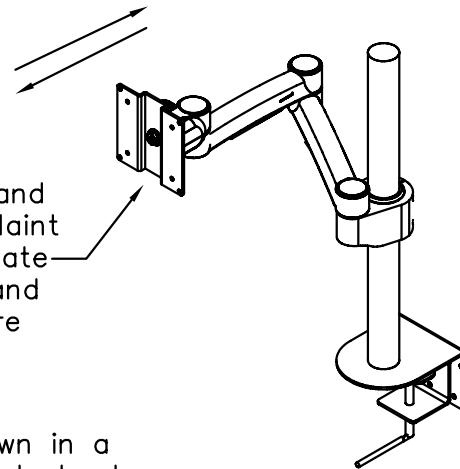


Maximum Extended Position



Arm shown in extended position



VESA 75 and 100 Complaint monitor plate with tilt and pan feature

Arm shown in a slightly retracted position

NOTES :

MATERIAL :
AS NOTED ABOVE

TOLERANCES UNLESS OTHERWISE SPECIFIED

FRACTIONAL ±1/64
2 PLC. DEC. ±.01
3PLC. DEC. ±.001
ANGULAR ±.5°
FINISH √

DRAWN BY : VGM

DATE: 10/28/08

A P P R O V E D

DESCRIPTION :
Z 500 SINGLE ARM

ENG :

MFG :

QA :

SCALE : N.T.S.

SHEET : 1 OF 1

USED ON :

PATH :
F.ASSY\ACCESSORIES\MONITOR ARMS\Z SERIES\Z500

PDF NAME:
Z500-01

FOLDER :

REV: SIZE
A