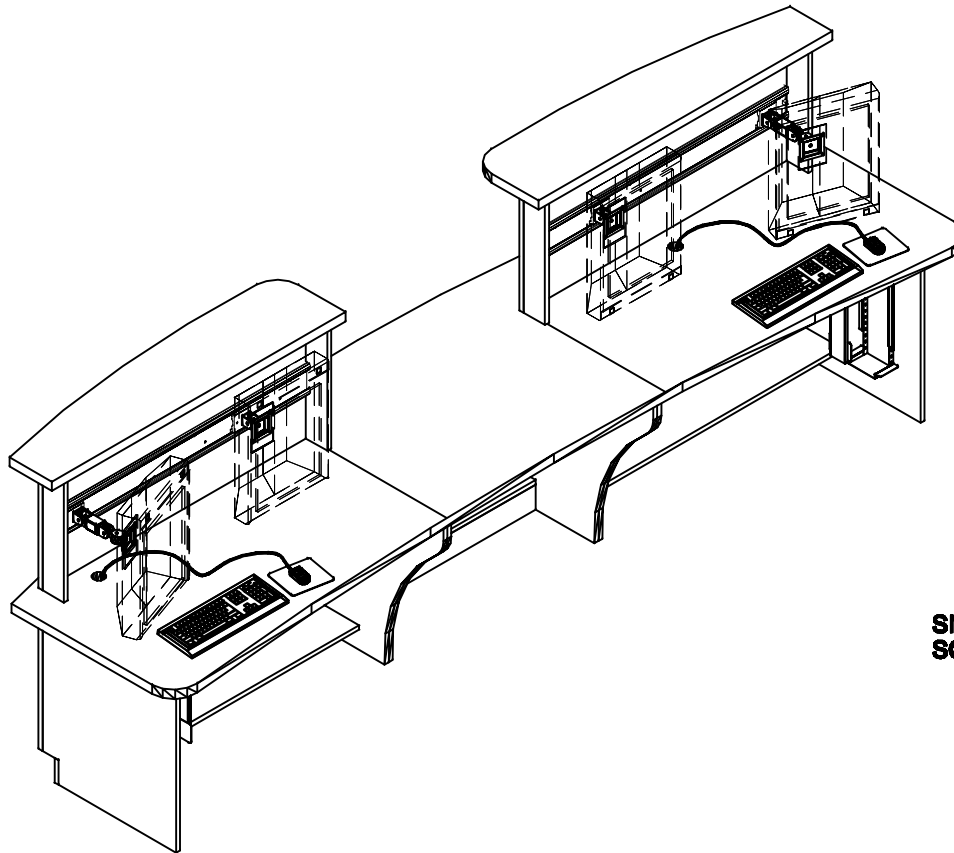
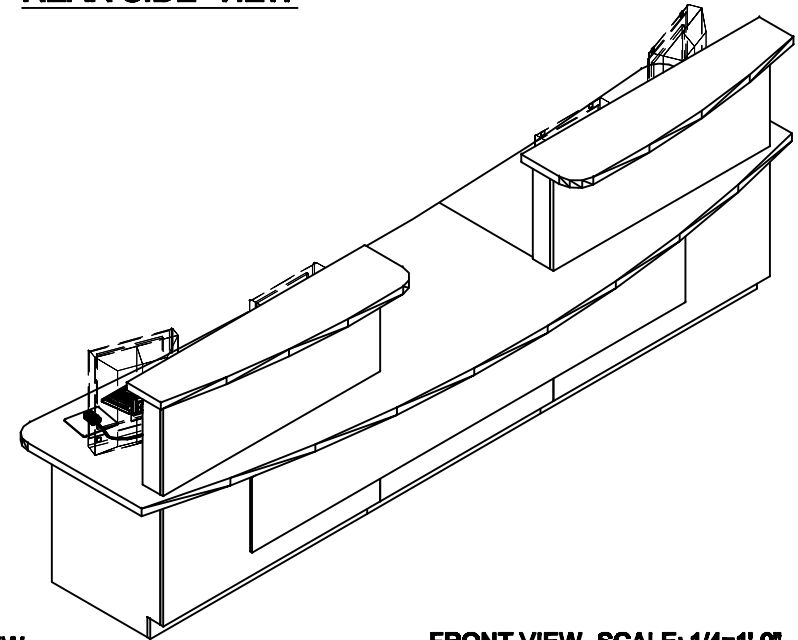


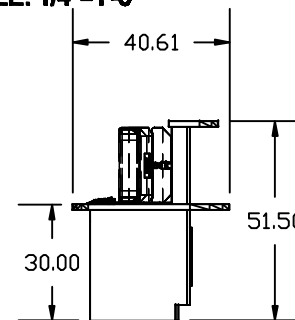
**ISOMETRIC VIEW**



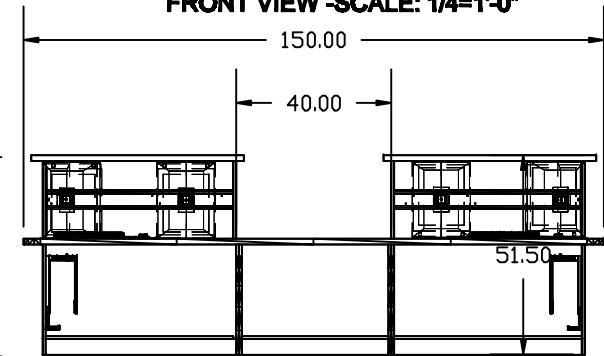
**REAR SIDE VIEW**



**SIDE VIEW  
SCALE: 1/4"=1'-0"**



**FRONT VIEW - SCALE: 1/4"=1'-0"**



**NOTES:**

**MATERIAL:**

TOLERANCES UNLESS OTHERWISE SPECIFIED

FRACTIONAL ±1/64

2 PL.C. DEC. ±.01

3PL.C. DEC. ±.001

ANGULAR

FINISH

DRAWN BY: KH

DATE: 12-09-09

DESCRIPTION:

**NURSE STATION**

**APPROVED**

USED ON:

ENG:

MFG:

QA:

PATH:

L:\Fin.Assambl.IDTL

PDF NAME:

D0108

REV: SIZE

. A

SHEET: 10F1