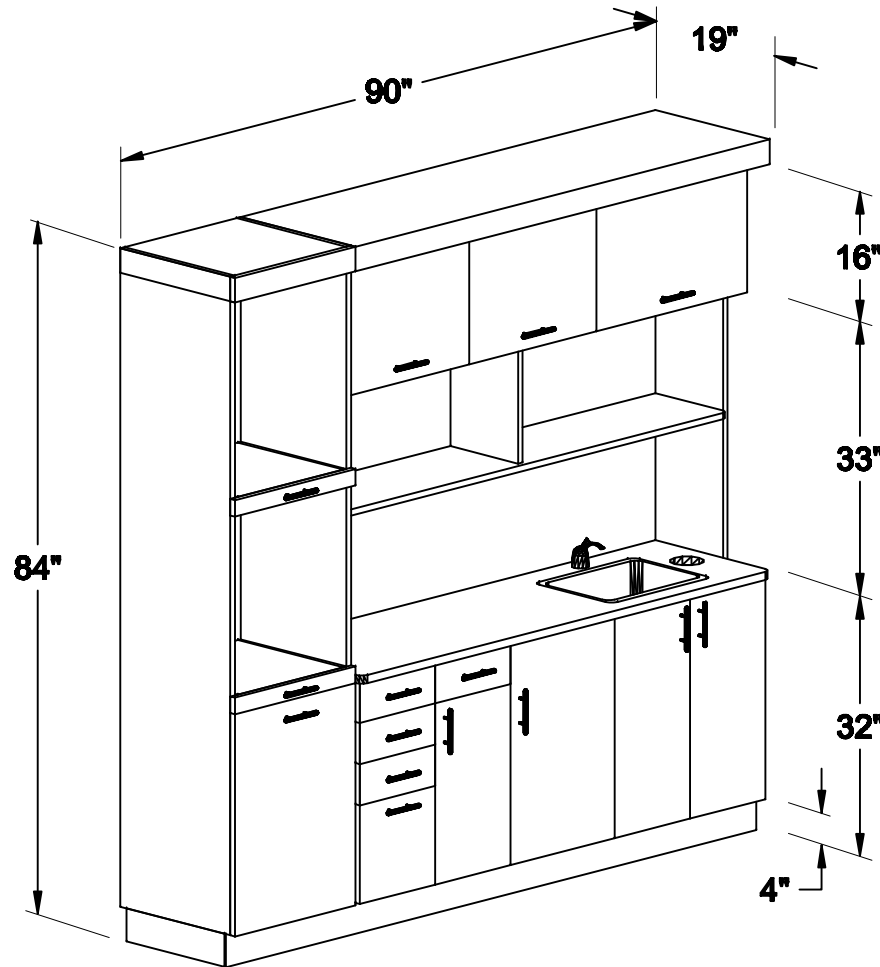


ISOMETRIC VIEW



NOTES:

MATERIAL:

DRAWN BY: KH

DATE: 12-07-09

DESCRIPTION:

APPROVED

STERILE CENTER

TOLERANCES UNLESS OTHERWISE SPECIFIED

ENG:

USED ON:

FRACTIONAL ±1/64

MFG:

2 PLC. DEC. ±.01

QA:

PATH:

3 PLC. DEC. ±.001

L:\Fin.Assambl.DTL

ANGULAR

PDF NAME:

N.T.S.

SHEET: 1 OF 1

D0116

REV: SIZE
A