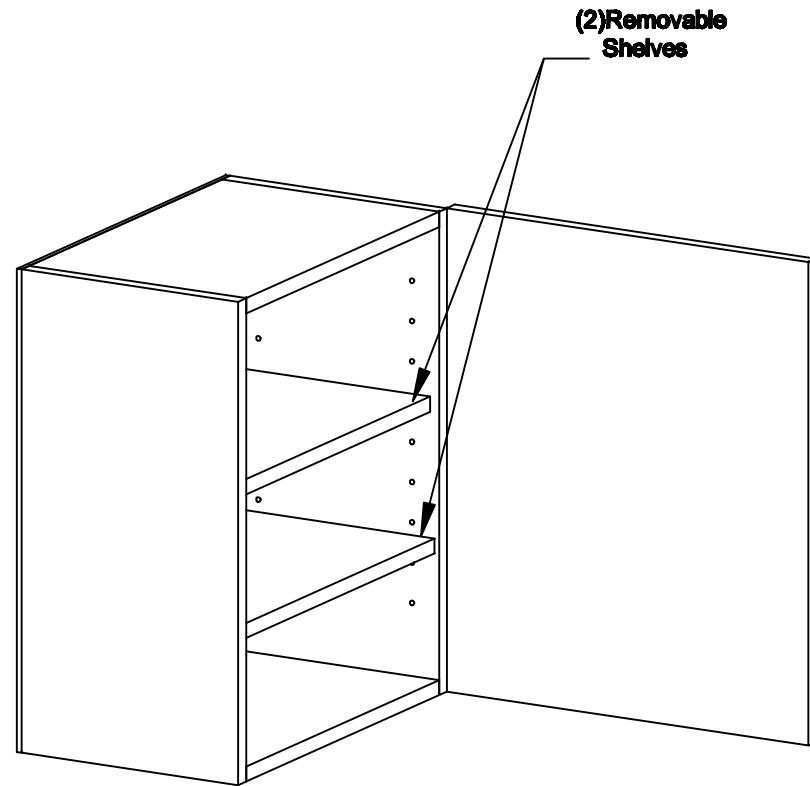
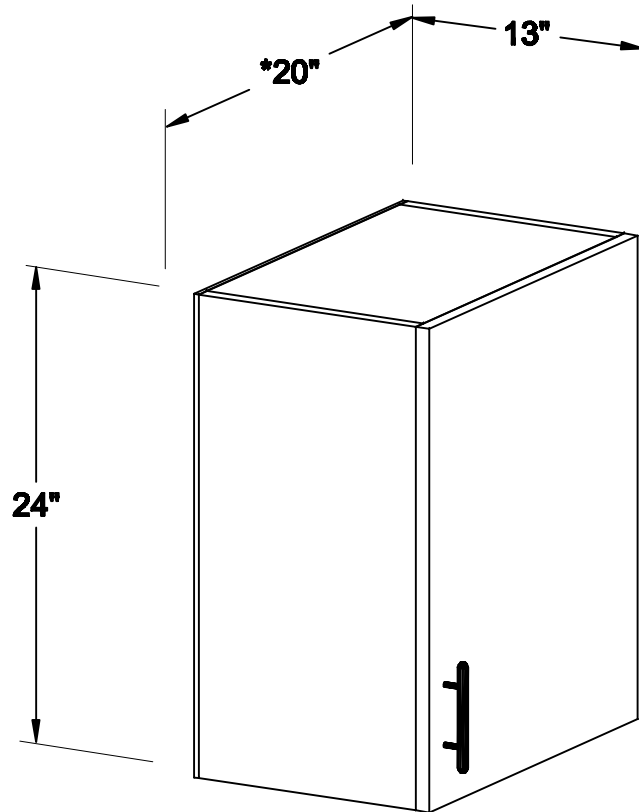


ISOMETRIC VIEW



NOTES:

- * Width -10" Standard
- 12" Standard
- 16" Standard
- 20" Standard

MATERIAL:

TOLERANCES UNLESS OTHERWISE SPECIFIED
 FRACTIONAL ±1/64
 2 PL.C. DEC. ±.01
 3PL.C. DEC. ±.001
ANGULAR FINISH

DRAWN BY: KH

DATE: 11-30-09

DESCRIPTION:

UPPER CABINET

APPROVED

USED ON:

**PATH:
L:\Fin.Assambl.DTL**

ENG:

MFG:

QA:

**PDF NAME:
D0123**

N.T.S.

SHEET: 1 OF 1

**REV: SIZE
A**