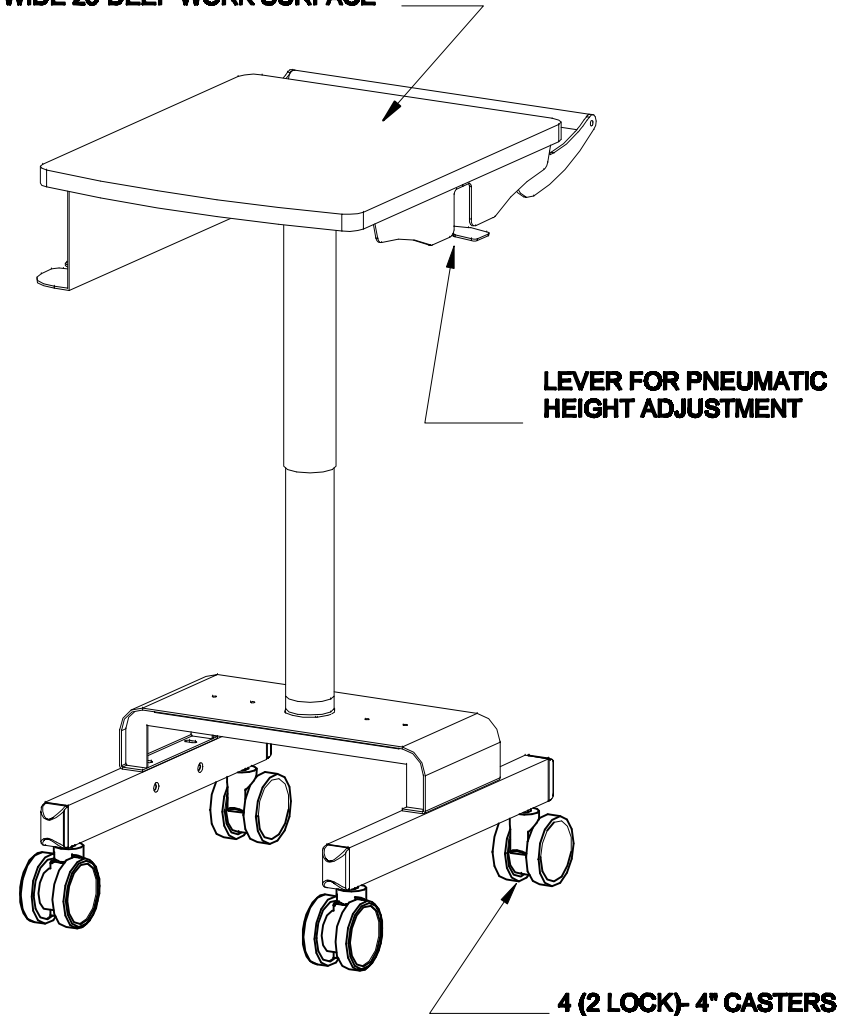


20" WIDE 25" DEEP WORK SURFACE



<b>NOTES:</b>	<b>MATERIAL:</b>	<b>DRAWN BY:</b> KH	<b>DATE:</b> 11-04-09	<b>DESCRIPTION:</b>	
	TOLERANCES UNLESS OTHERWISE SPECIFIED FRACTIONAL ±1/64 2 PLC. DEC. ±.01 3PLC. DEC. ±.001 ANGULAR FINISH	<b>APPROVED</b>		<b>PNEUMATIC CART</b>	
		<b>ENG:</b>		<b>USED ON:</b>	
		<b>MFG:</b>		PATH: L:\Fin.ASSAM.IDTL	
		<b>QA:</b>		<b>PDF NAME:</b>	<b>REV: SIZE</b>
			<b>SHEET:</b> 10F1	<b>D0127</b>	<b>A</b>