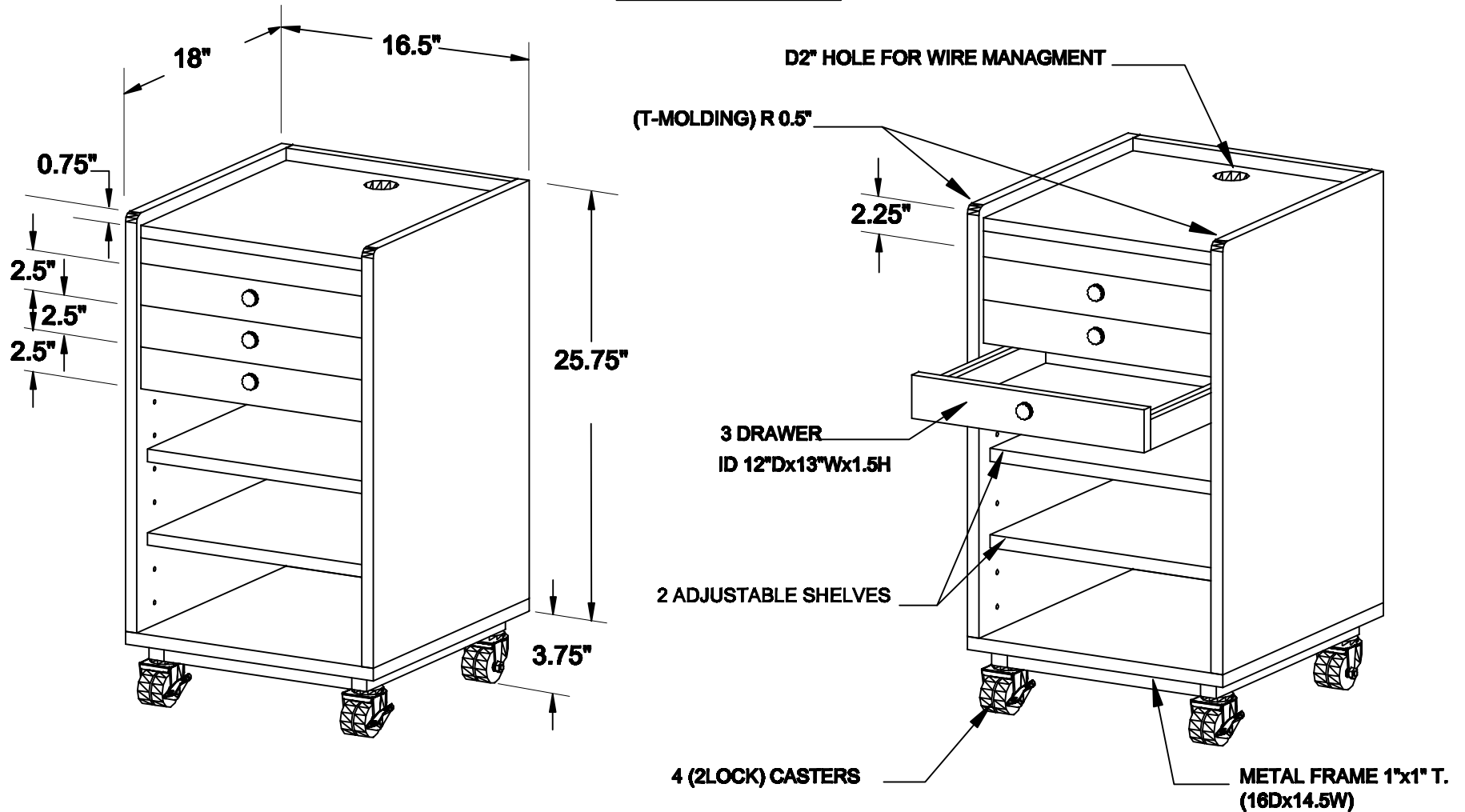


**ISOMETRIC VIEW**



<b>NOTES:</b>	<b>MATERIAL:</b>	<b>DRAWN BY:</b> KH	<b>DATE:</b> 10-22-09	<b>DESCRIPTION:</b>	
	TOLERANCES UNLESS OTHERWISE SPECIFIED FRACTIONAL ±1/64 2 PLC. DEC. ±.01 3PLC. DEC. ±.001 ANGULAR FINISH	<b>APPROVED</b>		<b>DENTAL CART</b>	
		<b>ENG:</b>		<b>USED ON:</b>	
		<b>MFG:</b>		PATH: Z:\PROJECTS\Dentalcart	
		<b>QA:</b>		PDF NAME: Dentalcart003	REV: SIZE A
			<b>SHEET:</b> 10F1		