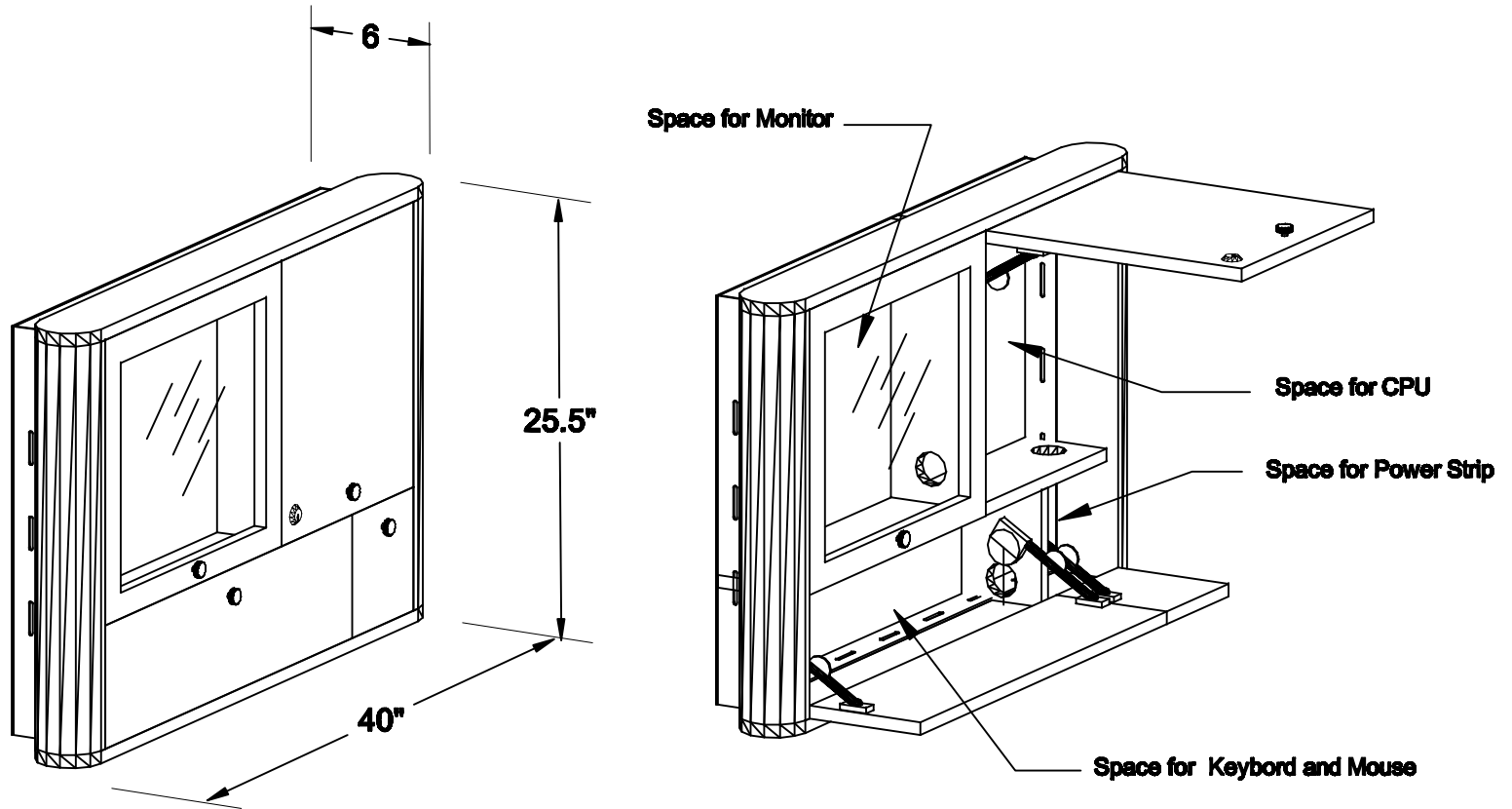


ISOMETRIC VIEW



NOTES:	MATERIAL:	DRAWN BY: KH	DATE: 11-02-09	DESCRIPTION:		
	TOLERANCES UNLESS OTHERWISE SPECIFIED FRACTIONAL ±1/64 2 PL. DEC. ±.01 3PL. DEC. ±.001 ANGULAR FINISH	APPROVED		I CENTER		
		ENG:			USED ON:	
		MFG:			PATH: L:\Fin.Assamb\ICENTER	
	QA:			PDF NAME: IR0104	REV: SIZE A	
		NOT TO SCALE	SHEET: 1 OF 1			