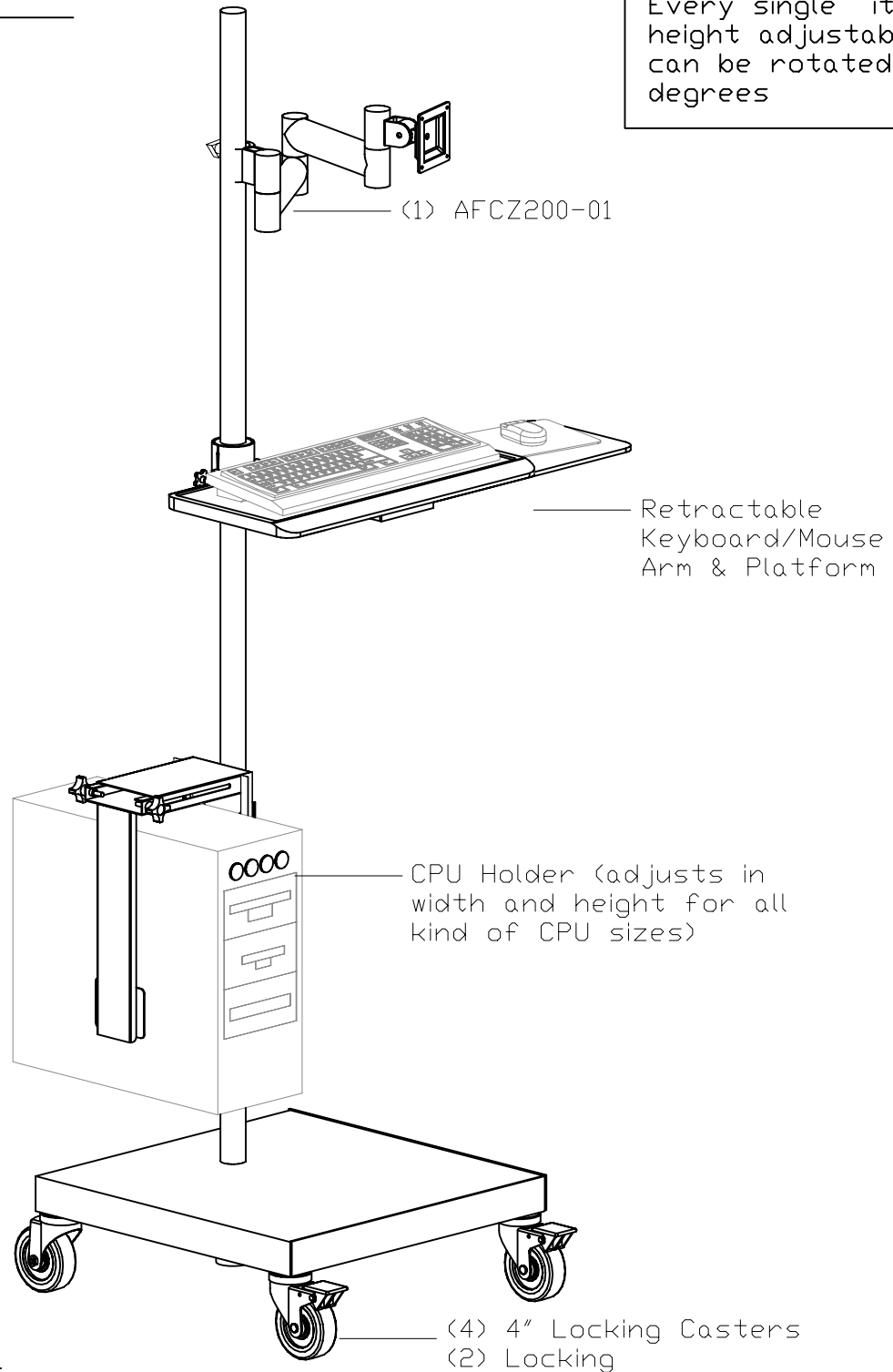


Every single item is height adjustable and can be rotated 360 degrees

73"



MATERIAL :	DRAWN BY : Larissa V.	DATE: 02.14.06	DESCRIPTION :
	A P P R O V E D		Mobile Pole Cart. Universal DWG
TOLERANCES UNLESS OTHERWISE SPECIFIED FRACTIONAL ±1/64 2 PLC. DEC. ±.01 3PLC. DEC. ±.001 ANGULAR ±.5° FINISH √	ENG :		USED ON :
	MFG :		PATH :
	QA :		F.Assembly\Mobile Pole Carts\ Mobile Pole\2006 PDF
	SCALE: N.T.S.	SHEET : 1 OF 1	PDF : MPC_SQ_1KB_1Z_1C_000_01
			REV: SIZE A